

# MC78L05AB

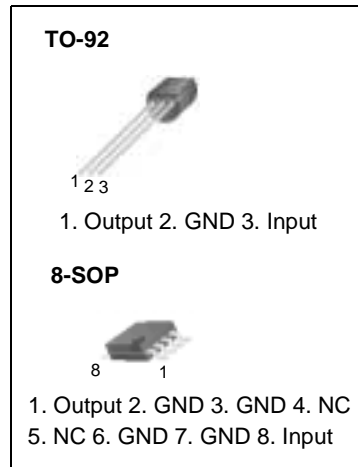
## 3-Terminal 0.1A 5V Positive Voltage Regulator

### Features

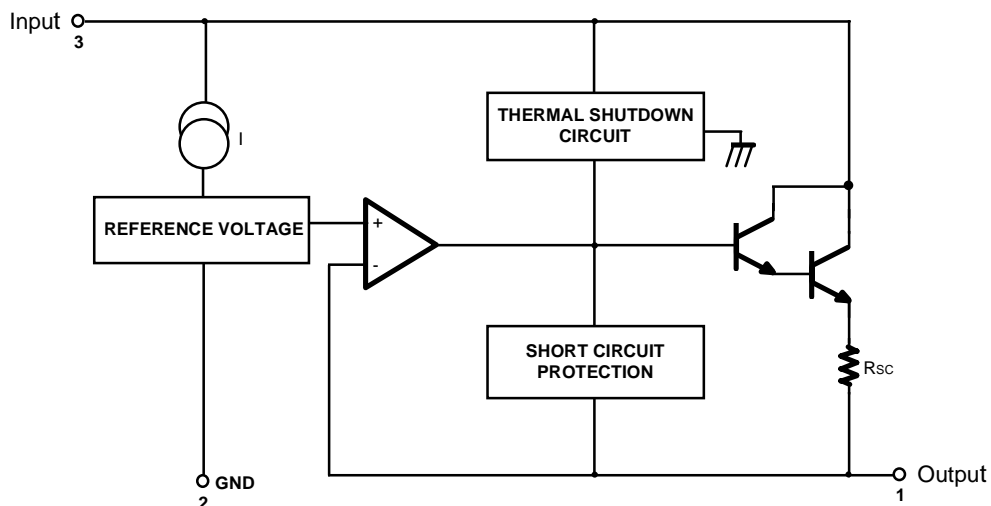
- Maximum Output Current of 100mA
- Output Voltage of 5V
- Thermal Overload Protection
- Short Circuit Current Limiting
- Output Voltage Offered in  $\pm 5\%$  Tolerance

### Description

The MC78L05AB series of fixed voltage monolithic integrated circuit voltage regulators are suitable for application that required supply current up to 100mA.



### Internal Block Diagram



## Absolute Maximum Ratings

( $T_a=25^\circ\text{C}$ , Unless otherwise noted, Note 5)

Parameter	Symbol	Value	Unit
Input Voltage	$V_I$	30	V
Maximum Operating Junction Temperature	$T_J$	+150	$^\circ\text{C}$
Storage Temperature Range	$T_{STG}$	-65 ~ +150	$^\circ\text{C}$

## Electrical Characteristics

( $V_I = 10\text{V}$ ,  $I_O = 40\text{mA}$ ,  $-40^\circ\text{C} \leq T_J \leq 125^\circ\text{C}$ ,  $C_I = 0.33\mu\text{F}$ ,  $C_O = 0.1\mu\text{F}$ , unless otherwise specified. (Note 1))

Parameter	Symbol	Conditions	Min.	Typ.	Max.	Unit	
Output Voltage	$V_O$	$T_J = 25^\circ\text{C}$	4.8	5.0	5.2	V	
Line Regulation (Note1)	$\Delta V_O$	$T_J = 25^\circ\text{C}$	$7\text{V} \leq V_I \leq 20\text{V}$	-	8	150	mV
			$8\text{V} \leq V_I \leq 20\text{V}$	-	6	100	mV
Load Regulation (Note1)	$\Delta V_O$	$T_J = 25^\circ\text{C}$	$1\text{mA} \leq I_O \leq 100\text{mA}$	-	11	60	mV
			$1\text{mA} \leq I_O \leq 40\text{mA}$	-	5.0	30	mV
Output Voltage	$V_O$	$7\text{V} \leq V_I \leq 20\text{V}$	$1\text{mA} \leq I_O \leq 40\text{mA}$	-	-	5.25	V
		$7\text{V} \leq V_I \leq V_{MAX}$ (Note 2)	$1\text{mA} \leq I_O \leq 70\text{mA}$	4.75	-	5.25	V
Quiescent Current	$I_Q$	$T_J = 25^\circ\text{C}$	-	2.0	5.5	mA	
Quiescent Current Change	with line	$\Delta I_Q$	$8\text{V} \leq V_I \leq 20\text{V}$	-	-	1.5	mA
	with load	$\Delta I_Q$	$1\text{mA} \leq I_O \leq 40\text{mA}$ (Note3)	-	-	0.5	mA
Output Noise Voltage(Note3)	$V_N$	$T_A = 25^\circ\text{C}$ , $10\text{Hz} \leq f \leq 100\text{kHz}$	-	40	-	$\mu\text{V}/V_o$	
Temperature Coefficient of $V_O$ (Note3)	$\Delta V_O/\Delta T$	$I_O = 5\text{mA}$	-	-0.65	-	$\text{mV}/^\circ\text{C}$	
Ripple Rejection(Note3,4)	RR	$f = 120\text{Hz}$ , $8\text{V} \leq V_I \leq 18\text{V}$ , $T_J = 25^\circ\text{C}$	41	80	-	dB	
Dropout Voltage	$V_D$	$T_J = 25^\circ\text{C}$	-	1.7	-	V	

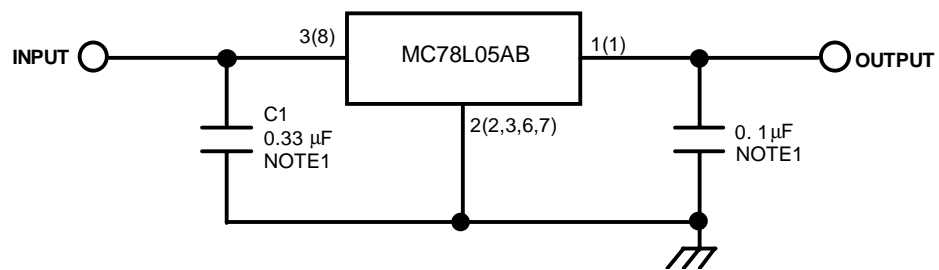
### Note:

- The maximum steady state usable output current and input voltage are very dependent on the heat sinking and/or lead length of the package. The data above represent pulse test conditions with junction temperature as indicated at the initiation of tests.
- Power dissipation  $P_D \leq 0.75\text{W}$ .
- These parameters although guaranteed over the recommended operating conditions are not 100% tested in production.
- Recommend minimum load capacitance of  $0.01\mu\text{F}$  to limit high frequency noise.
- Absolute Maximum Ratings indicate limits beyond which damage to the device may occur. Electrical specifications do not apply when operating the device outside of its stated operating conditions.

\*  $C_I$  is required if regulator is located an appreciable distance from power supply filter.

\*\*  $C_O$  is not needed for stability; however, it does improve transient response.

## Typical Application



'( )' : 8SOP Type

**Note:**

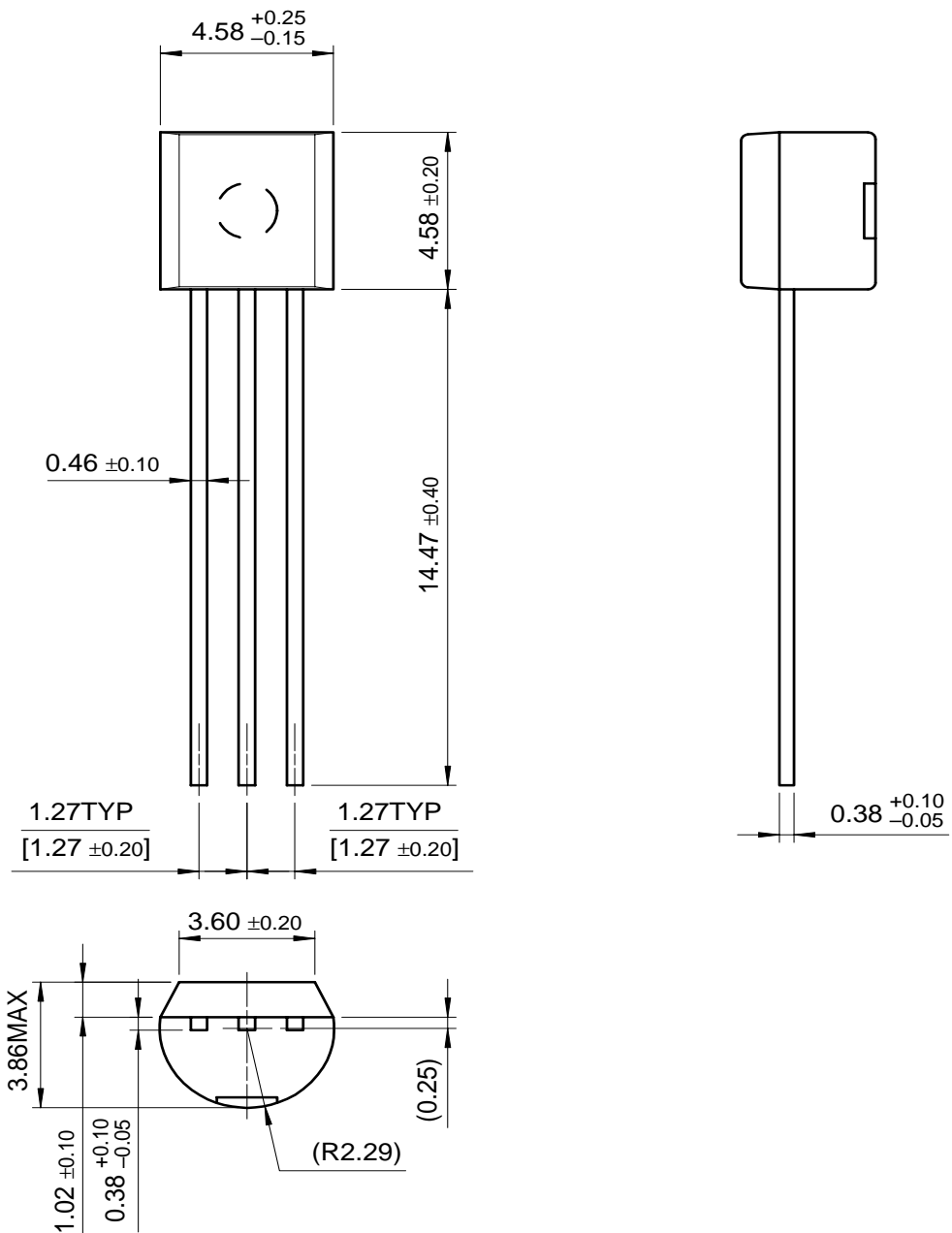
1. Bypass Capacitors are recommend for optimum stability and transient response and should be located as close as possible to the regulator

# Mechanical Dimensions

Package

Dimensions in millimeters

## TO-92

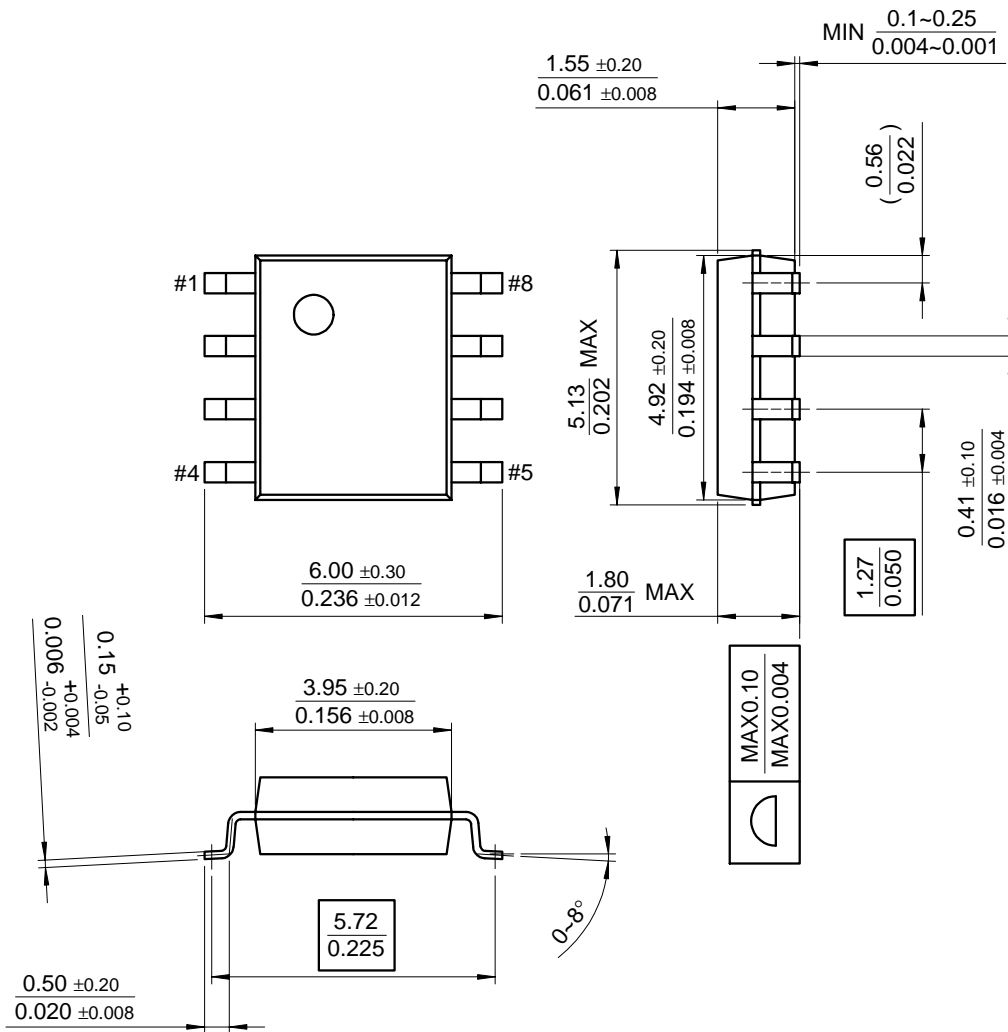


# Mechanical Dimensions (Continued)

## Package

Dimensions in millimeters

### 8-SOP



## Ordering Information

Product Number	Package	Output Voltage Tolerance	Operating Temperature
MC78L05ABP	TO-92	5%	-40 ~ +125°C
MC78L05ABD	8-SOP		

### DISCLAIMER

FAIRCHILD SEMICONDUCTOR RESERVES THE RIGHT TO MAKE CHANGES WITHOUT FURTHER NOTICE TO ANY PRODUCTS HEREIN TO IMPROVE RELIABILITY, FUNCTION OR DESIGN. FAIRCHILD DOES NOT ASSUME ANY LIABILITY ARISING OUT OF THE APPLICATION OR USE OF ANY PRODUCT OR CIRCUIT DESCRIBED HEREIN; NEITHER DOES IT CONVEY ANY LICENSE UNDER ITS PATENT RIGHTS, NOR THE RIGHTS OF OTHERS.

### LIFE SUPPORT POLICY

FAIRCHILD'S PRODUCTS ARE NOT AUTHORIZED FOR USE AS CRITICAL COMPONENTS IN LIFE SUPPORT DEVICES OR SYSTEMS WITHOUT THE EXPRESS WRITTEN APPROVAL OF THE PRESIDENT OF FAIRCHILD SEMICONDUCTOR CORPORATION. As used herein:

1. Life support devices or systems are devices or systems which, (a) are intended for surgical implant into the body, or (b) support or sustain life, and (c) whose failure to perform when properly used in accordance with instructions for use provided in the labeling, can be reasonably expected to result in a significant injury of the user.
2. A critical component in any component of a life support device or system whose failure to perform can be reasonably expected to cause the failure of the life support device or system, or to affect its safety or effectiveness.